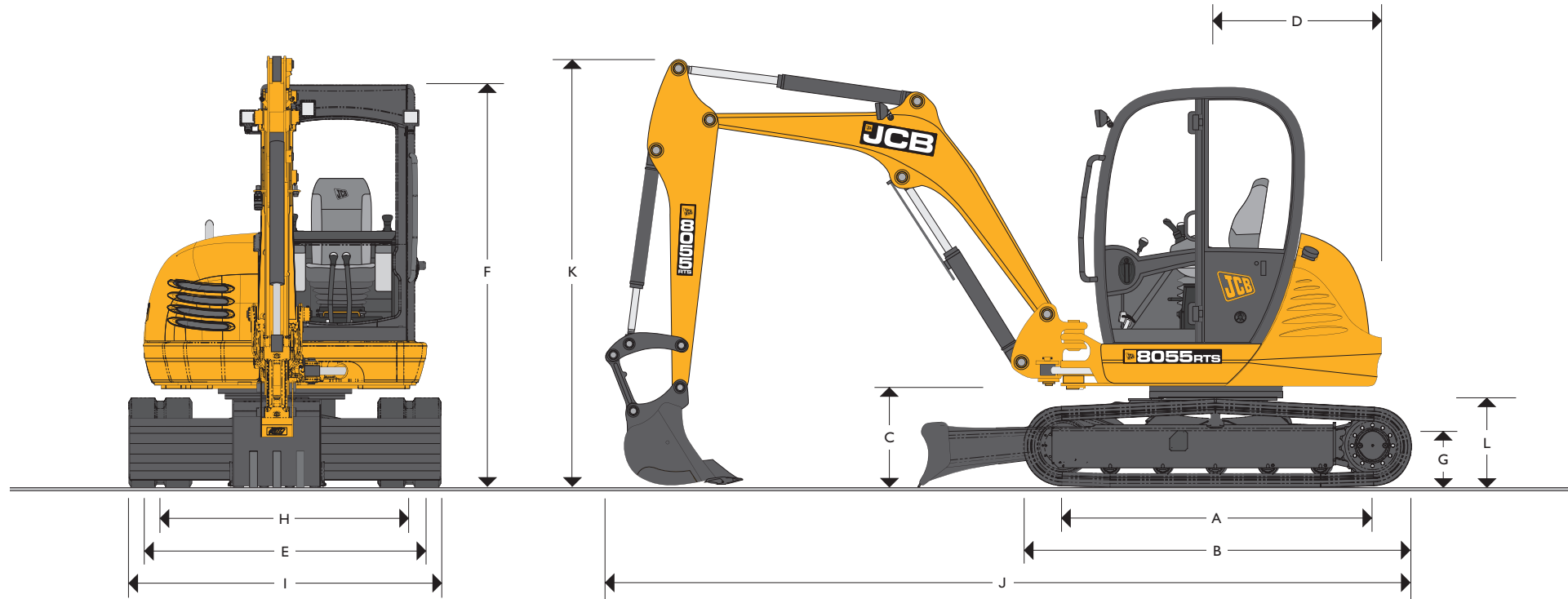




OPERATING WEIGHT: RTS – 5500 kg (12125 lbs), ZTS (excluding counterweight) – 5177kg (11413lbs) NETT ENGINE POWER: 33.1 kW (45 hp)



STATIC DIMENSIONS

	mm (ft-in)		mm (ft-in)
A Sprocket idler centres – rubber	1991 (6-6)	F Height over cab	2563 (8-5)
Sprocket idler centres – steel	2006 (6-7)	G Ground clearance	340 (1-1)
B Undercarriage overall length – rubber	2516 (8-3)	H Track gauge	1600 (5-3)
Undercarriage overall length – steel	2531 (8-4)	I Width over tracks	2000 (6-7)
C Kingpost clearance	682 (2-3)	J Transport length with standard dipper	5153 (16-11)
D Tailswing radius	1055 (3-5)	K Transport height	2758 (9-1)
E Overall width of superstructure	1800 (5-11)	L Track height	650 (2-2)



ENGINE

Model	Perkins 404-22D Tier 3	
Fuel	Diesel	
Cooling	Water Cooled	
Gross power SAE J1995	kW (hp) @ 2600 rpm	34.1 (46.36)
Net power SAE J1995	kW (hp) @ 2600 rpm	33.1 (45)
Gross torque SAE J1995	Nm (lbf ft) @ 1600 rpm	143 (105.47)
Net torque SAE J1995	Nm (lbf ft) @ 1600 rpm	137.28 (101.25)
Displacement	cc	2.216
Gradeability	degrees	35
Battery	volt/Ah	12 / 75
Alternator	amps	85
Starter motor	kW (hp)	2 (2.72)

UNDERCARRIAGE

No of bottom rollers (per side)	5	
Track width	mm (in)	400 (15¾)
Ground bearing pressure	kg/cm² (psi)	0.345 (4.91)
Ground clearance	mm (in)	340 (1-1)
Track tensioning	Grease	
Travel speed – low	kph (mph)	2.7 (1.7)
Travel speed – high	kph (mph)	5.1 (3.2)
Tractive effort	kN (lbf)	60.7 (13645.9)

HYDRAULIC SYSTEM

Pump	Load sensing variable displacement	
Nominal output (@ rated)	lpm	163
Nominal output	US gal/min	43
Excavator/track main relief	bar (psi)	250 (3626)
Slew main relief	bar (psi)	220 (3191)
Auxiliary hydraulic flow	litres (US gal)	90 (23.8)
Auxiliary low flow	litres (US gal)	25 (6.6)
Hydraulic motors	Piston	

OPERATOR ENVIRONMENT

		External	Internal
Cab height with FOGS guard	mm (ft-in)	2563 (8-5)	1550 (5-1)
Cab height no FOGS guard	mm (ft-in)	2575 (8-5¼)	1550 (5-1)
Cab length	mm (ft-in)	1328 (4-4)	1187 (3-11)
Cab width	mm (ft-in)	980 (3-2½)	933 (3-1)
Distance from seat base to roof	mm (ft-in)	1570 (5-2)	1570 (5-2)
Door aperture width	mm (ft-in)	564 (1-10)	564 (1-10)

SERVICE CAPACITIES

Fuel tank	litres (US gal)	68 (18)
Engine coolant	litres (US gal)	13.5 (3.56)
Engine oil	litres (US gal)	3.6 (1.0)
Hydraulic system	litres (US gal)	98 (25.88)
Hydraulic tank	litres (US gal)	55 (14.52)

MACHINE WEIGHTS

Operating weight*	kg (lb)	5500 (12125)
Transport weight	kg (lb)	5425 (11960)
With FOGS guard	kg (lb)	+25 (+55)
With 1500mm dipper	kg (lb)	-18 (-40)
With 1725mm dipper	kg (lb)	8 (17.6)

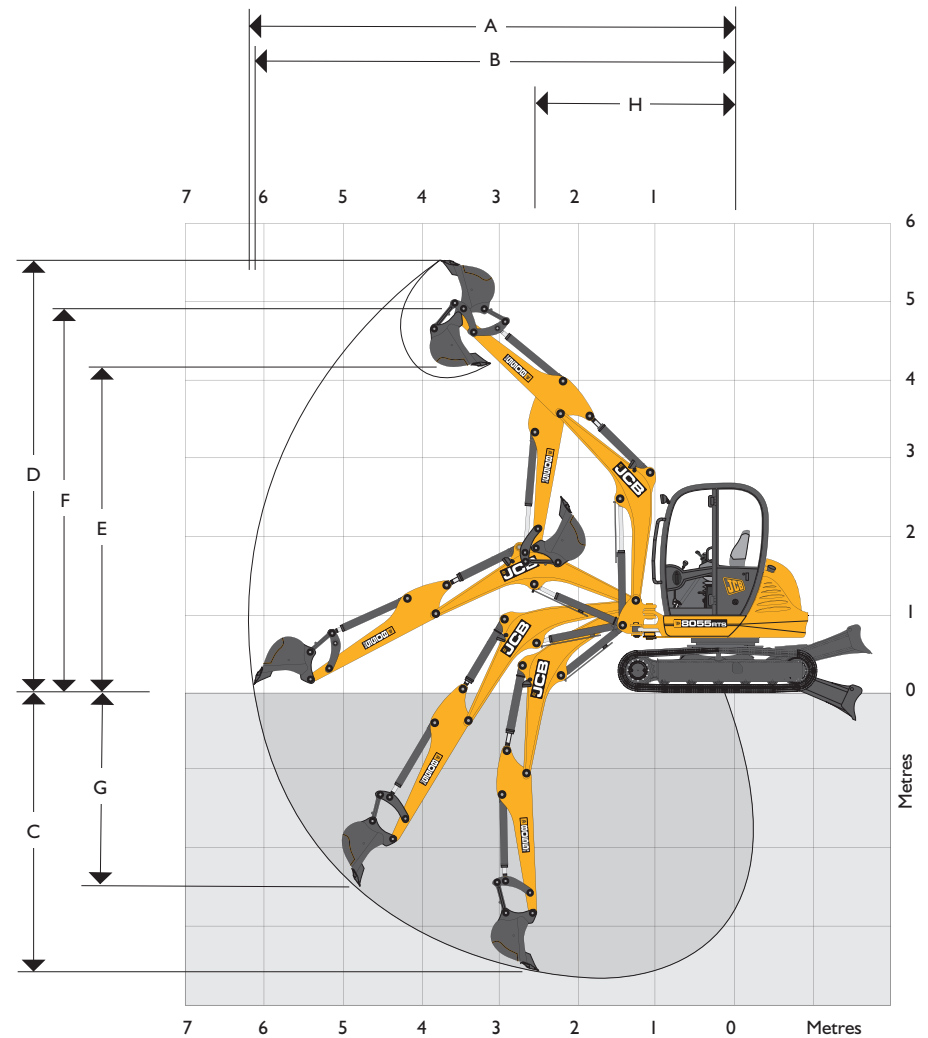
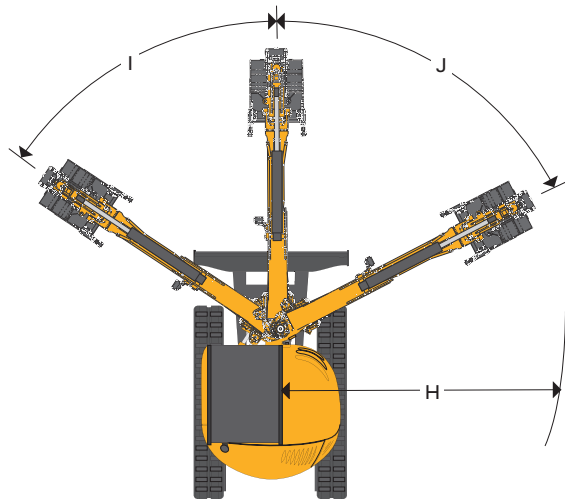
*Operating weight to ISO 6016 including cab, rubber tracks, standard dipper, 460mm (18in) bucket, full tanks and a 75kg (165lb) operator. ZTS (excluding shipped counterweight) is 5177kg (11413lb).

DOZER BLADE

Max height (above ground)	mm (ft-in)	432 (1-5)
Dig depth (below ground)	mm (ft-in)	553 (1-9¾)
Approach angle	degrees	27.5
Width	mm (ft-in)	2020 (6-7½)
Height	mm (ft-in)	411 (1-4)
Reach in front of tracks	mm (ft-in)	721.4 (2-4½)

WORKING RANGE

Boom length	mm (ft-in)	2500 (8-2)	2500 (8-2)	2500 (8-2)
Dipper length	mm (ft-in)	1500 (4-11)	1725 (5-8)	1900 (6-3)
A Max digging reach	mm (ft-in)	5754 (18-11)	5900 (19-4¼)	6142 (20-1)
B Max digging reach on ground	mm (ft-in)	5664 (18-7)	5800 (19-0¼)	6025 (19-9)
C Max digging depth – dozer up	mm (ft-in)	3357 (11-0)	3556 (11-8)	3764 (12-4)
C Max digging depth – dozer down	mm (ft-in)	3575 (11-9)	3774 (12-4½)	3973 (13-3)
D Max digging height	mm (ft-in)	5241 (17-2)	5376 (17-7¾)	5528 (18-1)
E Max dump height	mm (ft-in)	3817 (12-6)	4018 (13-2¼)	4102 (13-5)
F Max height to dipper nose pivot pin	mm (ft-in)	4499 (14-9)	4637 (15-2½)	4785 (15-8)
G Max vertical wallcut depth	mm (ft-in)	2159 (7-9)	2276 (7-5½)	2510 (8-3)
H Min. front swing radius (no offset)	mm (ft-in)	2474 (8-2)	2474 (8-2)	2474 (8-2)
H Min. front swing radius (fully offset)	mm (ft-in)	2186 (7-2)	2474 (8-2)	2186 (7-2)
I Boom swing left	degrees		61	
J Boom swing right	degrees		58	
Bucket rotation	degrees		193	
Dipper rotation	degrees		126	
Bucket tearout	kN (lbf)	42.2 (9486.9)	42.2 (9486.9)	42.2 (9486.9)
Dipper tearout	kN (lbf)	32.8 (7373.7)	30 (6744)	27.8 (6249.7)
Slew speed	rpm		10	



EEC NOISE LEVELS (95/27/EC DYNAMIC)

Cab / canopy external	dB (LwA)	97
Cab internal	dB (LpA)	76

STANDARD EQUIPMENT

ROPS & TOPS certified fully glazed cab (includes heater, interior light, cup holder, door holdback latch within tail swing, gas strut assisted front screen), full audio/visual warning systems, hydraulic slew braking with disc type park brake, control isolator, lockable toolbox, electronic throttle, switchable auto-idle, 12v power socket, fold-up tracking pedals, lifting points, rubber tracks, ISO servo controls, suspension seat, boom worklight, single acting auxiliary circuit to dipper, boom ram protection, dozer blade, boom 2500mm, 1900mm dipper, 2-speed tracking, auto kickdown track motors.

OPTIONAL EQUIPMENT

Dual pattern controls (ISO/SAE change-over), electronic proportional auxiliary controls, low flow auxiliary, front or rear cab mounted worklights, air conditioning engine fan guard kit, FOPS roof guard, mirror, toolkit, radio, biodegradable hydraulic oil, fire extinguisher, sunblind, battery isolator, Datatag (UK only), travel alarm, immobiliser, hose-burst-check-valves on boom, dipper and dozer, yellow roof moulding, digging buckets, ditching/grading bucket, hydraulic breaker, earthdrill/auger, mechanical quickhitch bucket-to-grab change over valves, 1500mm short dipper, 1725mm dipper, remote engine oil filter, double acting auxiliary pipework, mirror kit, JCB impact protection cab screen 45mm, pin conversion kit to accept 3CX buckets.

8055 RTS/ZTS LIFT CAPACITIES – Standard Dozer, 400mm (9in) Rubber Tracks, 1900mm (3ft 10 in) dipper, No bucket.

Reach from slew centre

Load Point	2.5m (8ft 2½in)			3m (9ft 10in)			3.5m (11ft 5in)			4m (13ft 1in)			4.5m (14ft 8in)			Capacity at maximum reach				
Height	Dozer up	Dozer down		Dozer up	Dozer down		Dozer up	Dozer down		Dozer up	Dozer down		Dozer up	Dozer down		Dozer up	Dozer down			
m (ft-in)	kg	kg	kg	kg	kg	kg	kg	kg	kg	kg	kg	kg	kg	kg	kg	kg	kg	kg	kg	m (ft-in)
2.5 (8-2½)										844*	978	843	836	1035	836	603*	941	513*	5.1 (16-7)	
2.0 (6-6)							976*	1235	976*	957*	1191	926	723*	1096	723*	613*	950	486*	5.27 (17-3)	
1.5 (4-11)				1301	1644	1387	1050*	1394	1050*	837*	1248	764*	685*	1157	685*	562*	970	476*	5.31 (17-4)	
1 (3-3)				1306*	1959	1146*	1046*	1568	1046*	843*	1358	746*	681*	1238	681*	540*	983	468*	5.37 (17-6)	
0.5 (1-8)				1157*	2133	1086*	1024*	1733	1024*	756*	1453	716*	660*	1287	660*	531*	1004	456*	5.3 (17-4)	
Ground Level	1501*	2823	1389*	1220*	2301	1070*	1066*	1866	1066*	811*	1567	705*	778*	1388	778*	603*	1025	490*	5.2 (17-0)	
- 0.5 – (1-8)	1503*	2904	1353*	1260*	2379	1020*	1071*	2053	1071*	881*	1638	683*	740*	1359	740*	647*	1033	509*	5.0 (16-4)	
- 1 – (3-3)	1510*	2875	1260*	1091*	2275	973*	996*	1844	996*	752*	1588	655*	696*	1234	696*	570*	1037	525*	4.8 (15-7½)	



Lift capacity front and rear.



Lift capacity full circle.

- Notes:**
- Lifting capacities are based on ISO 10567, that is: 75% of minimum tipping load or 87% of hydraulic lift capacity, whichever is the less. Lifting capacities marked* are based on hydraulic capacity.
 - Lift capacities assume that the machine is on firm, level ground and equipped with an approved lifting point.
 - A bucket must be fitted when lifting, the weight of this bucket must be deducted from the above lift capacities.
 - Lift capacities may be limited by local regulations. Please refer to your dealer.

