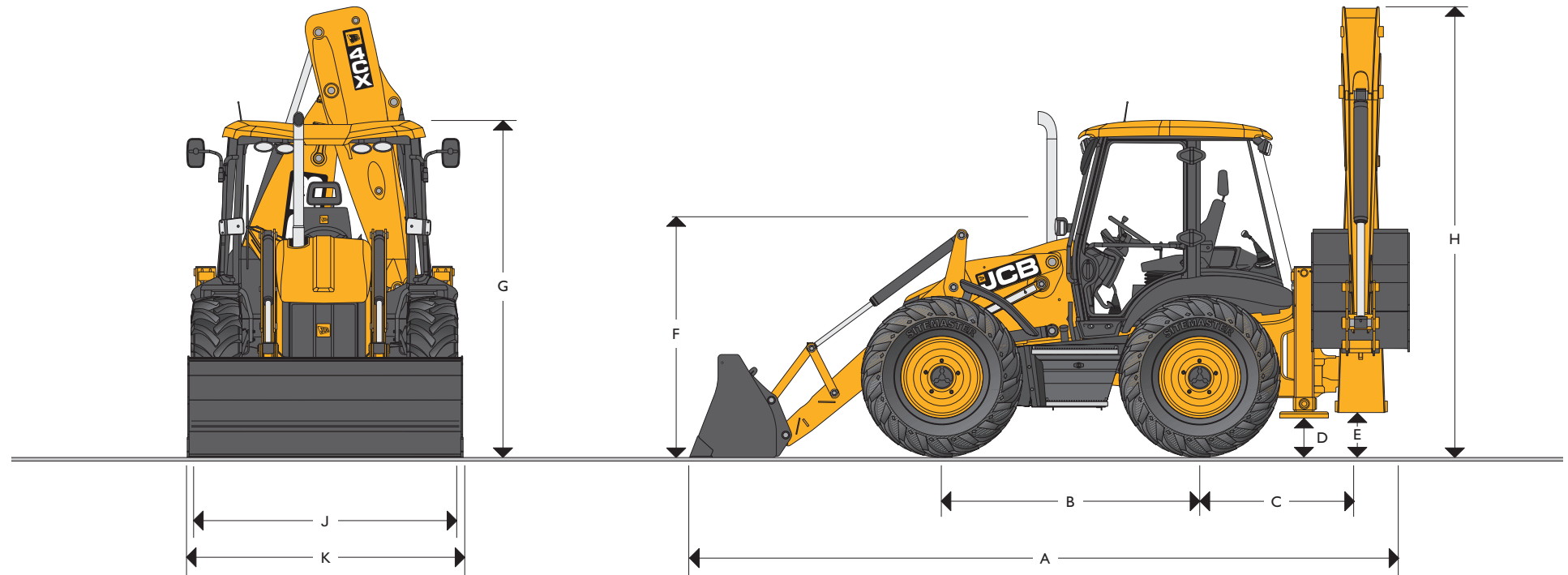


4CX ECO MAX. ENGINE POWER: 81kW (109hp) MAX. BACKHOE DIG DEPTH: 6.51 metres MAX. LOADER CAPACITY: 1.3m³

4CX ECO SITEMASTER MAX. ENGINE POWER: 81kW (109hp) MAX. BACKHOE DIG DEPTH: 5.88 metres MAX. LOADER CAPACITY: 1.3m³



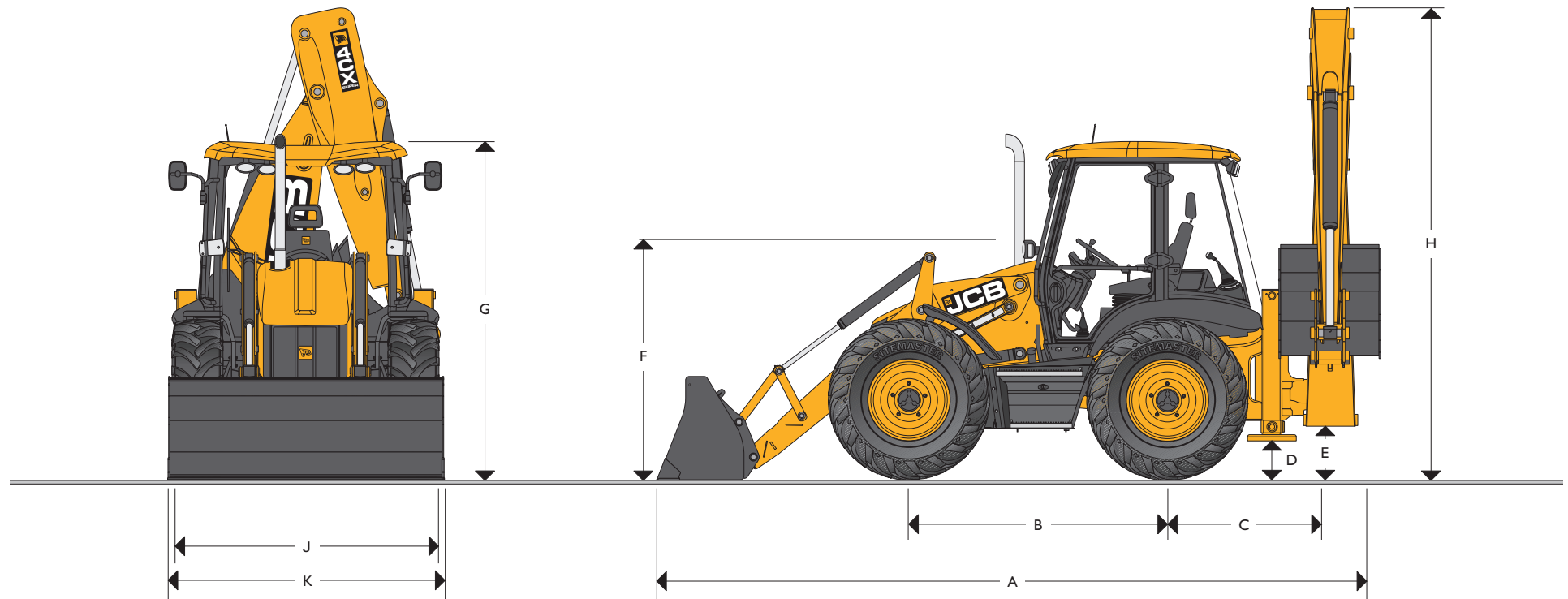
STATIC DIMENSIONS

JCB Backhoe Loaders feature heavy duty one piece mainframe, componentised driveline and fully enclosed engine compartment. All fluid and component compartments are lockable using the ignition key.

Machine model	4CX	4CX Sitemaster	Machine model	4CX	4CX Sitemaster
	m	m		m	m
A Total travel length	5.91	5.91	G Cab roof height	3.03	3.03
B Axle centreline distance	2.22	2.22	H Total travel clearance	3.54	3.62
C Slew centre to rear axle centre distance	1.36	1.36	J Rear frame width	2.36	2.36
D Stabiliser feet clearance	0.34	0.34	K Shovel width – standard	2.33	2.33
E Kingpost clearance	0.50	0.50	K Shovel width – option	2.44	2.44
F Steering wheel centre height	1.88	1.88			

4CX ECO SUPER MAX. ENGINE POWER: 81kW (109hp) MAX. BACKHOE DIG DEPTH: 6.51 metres MAX. LOADER CAPACITY: 1.3m³

4CX ECO SUPER SITEMASTER MAX. ENGINE POWER: 81kW (109hp) MAX. BACKHOE DIG DEPTH: 6.51 metres MAX. LOADER CAPACITY: 1.3m³



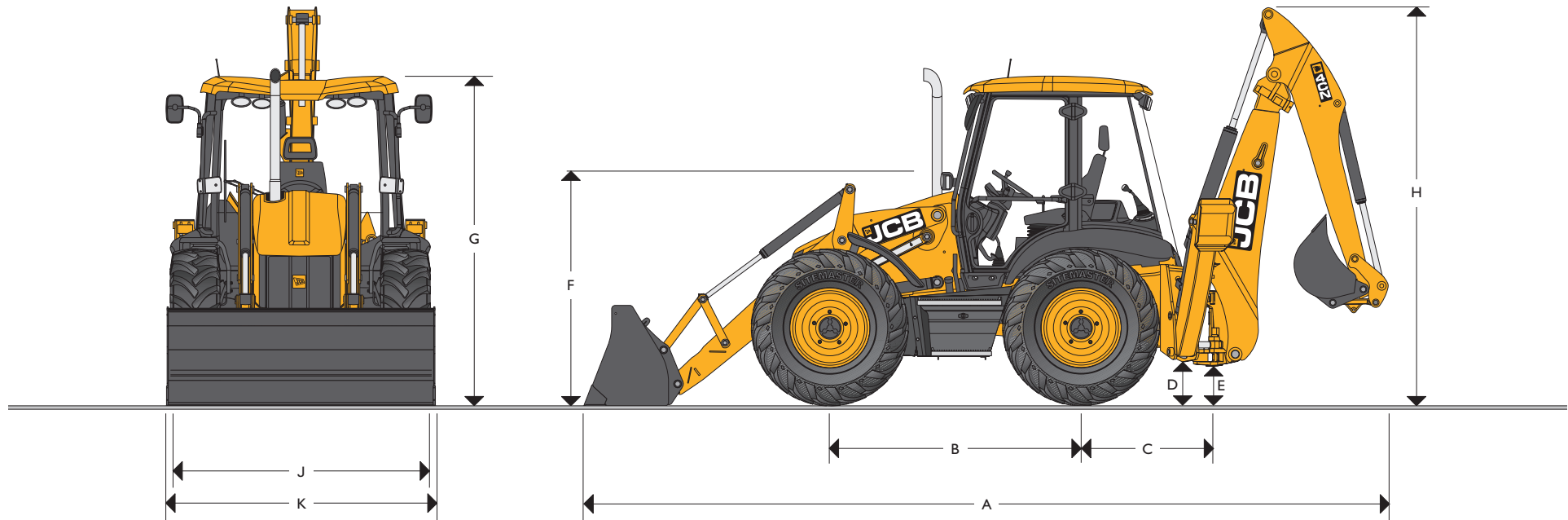
STATIC DIMENSIONS

JCB Backhoe Loaders feature heavy duty one piece mainframe, componentised driveline and fully enclosed engine compartment. All fluid and component compartments are lockable using the ignition key.

Machine model	4CX Super	4CX Super Sitemaster
	m	m
A Total travel length	5.91	5.91
B Axle centreline distance	2.22	2.22
C Slew centre to rear axle centre distance	1.36	1.36
D Stabiliser feet clearance	0.34	0.34
E Kingpost clearance	0.50	0.50
F Steering wheel centre height	1.88	1.88

Machine model	4CX Super	4CX Super Sitemaster
	m	m
G Cab roof height	3.03	3.03
H Total travel clearance	3.97	3.97
J Rear frame width	2.36	2.36
K Shovel width (standard)	2.33	2.33
K* Shovel width (option)	2.44	2.44

MAX. ENGINE POWER: 81kW (109hp) MAX. BACKHOE DIG DEPTH: 5.19 metres MAX. LOADER CAPACITY: 1.3m³



STATIC DIMENSIONS

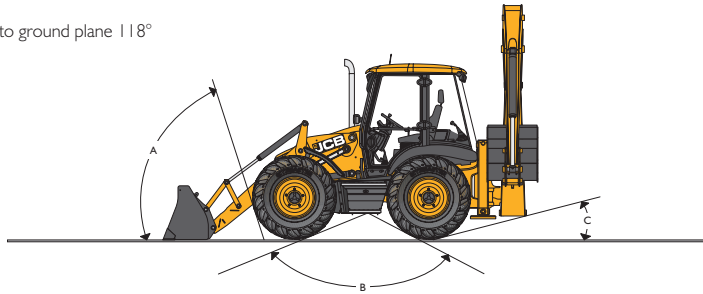
JCB Backhoe Loaders feature heavy duty one piece mainframe, componentised driveline and fully enclosed engine compartment. All fluid and component compartments are lockable using the ignition key.

Machine model	4CN
	m
A Total travel length	7.53
B Axle centreline distance	2.32
C Slew centre to rear axle centre distance	1.20
D Stabiliser feet clearance	0.41
E Kingpost clearance	0.50

Machine model	4CN
	m
F Steering wheel centre height	1.88
G Cab roof height	3.03
H Total travel clearance	3.91
J Rear frame width	2.36
K Shovel width	2.33

GROUND LINE ANGLES

- A Approach angle 74°
- B Interference angle/ramp to ground plane 118°
- C Departure angle 19°



OPERATING WEIGHTS

Operating weight includes machine with 6 in 1 shovel, 610mm excavator bucket, full fuel tank and operator.

Machine model	4CX	4CX Sitemaster	4CX Super	4CX Super Sitemaster	4CN
	kg	kg	kg	kg	kg
Standard dipper	8201	–	8451	–	–
Extending dipper	8586	8586	8881	8881	8846

ENGINE SUPPORT SYSTEM

Engine support system is designed for ease of daily checks, routine maintenance and longer service intervals.

Fuel type	Diesel.
Fuel filter	Replaceable cartridge plus water/sediment separator prefilter.
Air cleaner	Dual, dry element type, with self cleaning internal air intake precleaner.
Oil filter and lubrication	Full flow, spin-on type filter.
Cooling system	Hot climate specification, pressurised 1.0 bar suction fan. Pressurised recovery tank with integral filler neck.

ELECTRICAL AND INSTRUMENTATION

12 volt negative ground, utilising wiring and connectors meeting IP69 water ingress test standard. Central fuse panel.

Gauges	Tachometer, engine coolant temp, fuel level, hourmeter, clock.
Warning system	Audible and visual system. Engine oil, water in fuel, transmission oil temperature and pressure, park brake, air cleaner, alternator.
Battery	900 CCA/110 A/hr.
Pre-wire	Radio speakers (cab), beacon (all).
Horn	Controlled from both front and rear.
Alternator	95 amp standard.
Front working lights	4 adjustable.
Rear working lights	4 adjustable.

ENGINE (Stage IIIB Emissions)

The JCB Ecomax engine is so efficient that it complies with Stage IIIB/Tier 4i without the need for exhaust after-treatment systems; Diesel Particulate Filter (DPF) or Selective Catalytic Reduction (SCR). This is because its high pressure common rail combustion system, produces virtually no particulate matter in its exhaust gases.

High Pressure Common Rail Fuel Injection – Injects fuel at high pressure, up to 2000 bar, with extremely precise control.

Variable Geometry Turbo Charger (VGT) – Allows precise control of the quantity of air entering the engine, to match the fuel injected in order to optimise combustion efficiency.

Exhaust Gas Recirculation (EGR) – is a controlled recirculation of a portion of exhaust gases back into the combustion chamber, reducing NOx emissions.

Machine model	All models	
Engine standard	Stage IIIa	
Manufacturer	JCB	
Aspiration	Turbocharged & Intercooled	
Displacement	litre	4.4
No. of cylinders	4	
Bore	mm	103
Stroke	mm	132
Rated engine rpm	2200	
Power ratings		
Rated ISO 14396 (SAE J1995 Gross)	kW (HP)	81 (109)
Maximum torque		
Rated ISO 14396 (SAE J1995 Gross)	Nm	516
Max. torque rpm	1300	

TRANSMISSION

The JCB Transmissions are designed and built specifically for JCB Backhoe Loaders. They feature synchronised shifting in all gears. Powershuttle between forward and reverse. Ground speeds are designed to maximise productivity.

Optional JCB 6-speed autoshift transmission features automatic upshift and downshift between 4th, 5th and 6th gear controlled by machine travel speed and incorporates a kickdown pedal to select first gear. The operator may use the Autoshift in manual mode when operator control of shift points is desired. The JCB Powershift transmission allows fast gear changing without losing speed or momentum on gradients. The integral torque converter and electrically operated reversing shuttle help this backhoe loader produce fast cycle times for real wheeled loader performance. Low 1st and 2nd gear ratios provide excellent tractive effort for loading and sitestripping. JCB transmissions feature a (SAHR) clutch park brake, hydraulic release, spring engaged.

Machine model	All models	All models
Manufacturer	JCB	JCB
Type	Powershift	Autoshift
Torque converter	305mm	305mm
Torque converter ratio	2.54:1	2.54:1
Torque Lock	Standard	Option
Gears forward/reverse	4/4	6/4
Gear selection	Powershift	Powershift
Shuttle control – F/R	Power shuttle	Power shuttle
Travel speeds	kph	kph
Tyres equipped	16.9x28	16.9x28
Gear 1	5.0 F / 5.0 R	4.9 F / 6.2 R
Gear 2	9.3 F / 9.3 R	8.1 F / 8.4 R
Gear 3	21.5 F / 21.5 R	11.0 F / 22.4 R
Gear 4	38.1 / 38.1	17.7 F / 30.5 R
Gear 5	–	29.6 F
Gear 6	–	38.1 F

* Speeds vary dependant on tyre selection.

FRONT AXLE

JCB front axles are designed and built specifically for backhoe loaders and accept a wide variety of tyre combinations.

Machine model	All models
Type	JCB epicyclic hub reduction with torque proportional
Limited slip	Option
Axle ratings	kg
Static load rating	25000
Dynamic load rating	12500
Oscillation angle	16°
Steering ram	Powered track rod

REAR AXLE

JCB rear axles are designed and built specifically for backhoe loaders and accept a wide variety of tyre combinations.

Machine model	All models
Type	JCB epicyclic hub reduction with torque proportional
Limited slip	Option
Axle ratings	kg
Static load rating	25000
Dynamic load rating	12500

STEERING

Full power hydrostatic system utilising the main hydraulic pump via a steering priority valve. In the event of engine failure, emergency steering is maintained. Four equal size wheels with three steering modes – front wheel steering, four wheel steering and crab steer. Steer modes can be selected via the three-position rotary switch on the front dashboard.

Machine model	All models
Steering axles	Steer drive
Steering turns – lock to lock	2 ³ / ₄
	m
Kerb – kerb turning circle – unbraked	9.1
Loader clearance circle – unbraked	10.7
Kerb – kerb turning circle – braked	8.0
Loader clearance circle – braked	9.5

TYRES

16.9 x 28, 12PR Industrial, 440/80 x R28, Industrial and Traction, 500/70 R28 Traction. JCB branded traction and industrial, Michelin XMCL and Power CL, Goodyear IT520 and IT530 tyres.

HYDRAULIC SYSTEM

Open centre systems (piston pump) @ 2200rpm	l/min
Manual & EasyControl	165
Closed centre systems (piston pump) @ 2200rpm	l/min
Advanced EasyControl	165
	bar
System relief pressure	251

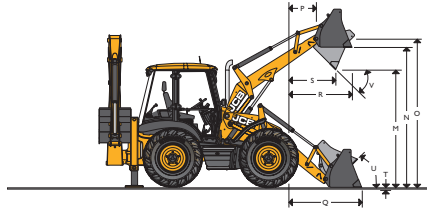
SERVICE CAPACITIES

Machine model	All models
	ltr
Cooling system	18.5
Fuel tank	160
Engine oil with filter	15
Powershift transmission with filter	16
Autoshift transmission with filter	16
Rear axle	16
Front drive axle	16
Hydraulic system incl. tank	132

OPTIONAL ACCESSORIES

Key/keypad immobiliser, Sitemaster, Michelin or Goodyear Brands of tyres with a selection of traction/industrial tread in a crossply/radial construction, Powershift/Autoshift transmissions, JCB TorqueLock, JCB Powerslide, Standard excavator buckets (300mm to 900mm), Deep profile excavator buckets (300mm to 940mm), Ditching buckets, General purpose/6-in-1 front shovels, Manual/hydraulic front quickhitch, Manual/hydraulic rear quickhitch, 3/8" loader arm pipework/5/8" loader arm pipework, Hammer/bi-directional pipework, Hand held tool circuit, 9m hose reel, Excavator lifting kits for EN474 and non-EN474 territories, Loader/excavator HBCV's, Electric refuelling pump, Heated front screen, Reverse alarm, Coffee machine, Grid heaters, Eberspacher cold start kits, Front bumper protection, Fire extinguisher, Fuel tank guards, Air suspension seat, Seat headrest, Biodegradable oil, Black/yellow trim kits, Instrument panel vandal guard, Different size front counterweights, Stabiliser streetpads, Shovel streetpads, Rear light guards, Lubricity filter, Shovel clam ram guards, Dual pattern controls (ISO/SAE changeover), Extendable steer column, Air conditioning, SRS.

LOADER DIMENSIONS



LOADER DIMENSIONS

		GP shovel	6-in-1 shovel
M	Dump height	m	2.69
N	Load over height	m	3.21
O	Pin height	m	3.46
P	Pin forward reach	m	0.41
Q	Reach at ground (toe plate horizontal)	m	1.42
R	Max. reach at full height	m	1.21
S	Reach at full height fully dumped	m	0.82
T	Dig depth	m	0.14
U	Roll back at ground	degrees	45°
V	Dump angle	degrees	45°
	Jaw opening width		0.95
	4CX	●	●
	4CX Super	●	●
	4CX Sitemaster	●	●
	4CX Super Sitemaster	●	●

Integrated Quickhitch and Forks are unique to JCB and speeds up attachment changeover times and increases productivity. Mechanical or hydraulic Quickhitch versions are available and with the shovel removed, the flip over forks maximise fork lift capacity to 2000kg and increases visibility to the load.

LOADER PERFORMANCE

JCB loaders provide parallel lift self levelling on the up and down cycle enhancing load retention and use of optional pallet forks. High capacity buckets combined with high lift and breakout forces maximise productivity.

		G.P. Shovel	6-in-1
Shovel breakout	kgf	6227	6590
Loader arm breakout	kgf	5936	5730
Rated operating capacity*	kg	4638	4378
Clamping force	kgf	–	2945
		●	●
		●	●
		●	●
		●	●

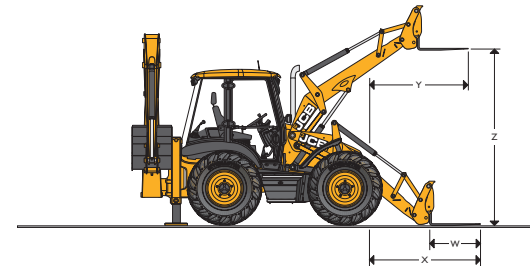
*Rated operating capacity as determined according to ISO 14397 : 2007.

LOADER ATTACHMENTS – Direct Mount

Loader buckets are listed according to size and application. All buckets are drilled to accept optional auxiliary cutting edge or teeth. Flat top box section provides rigidity and assists in bucket levelling.

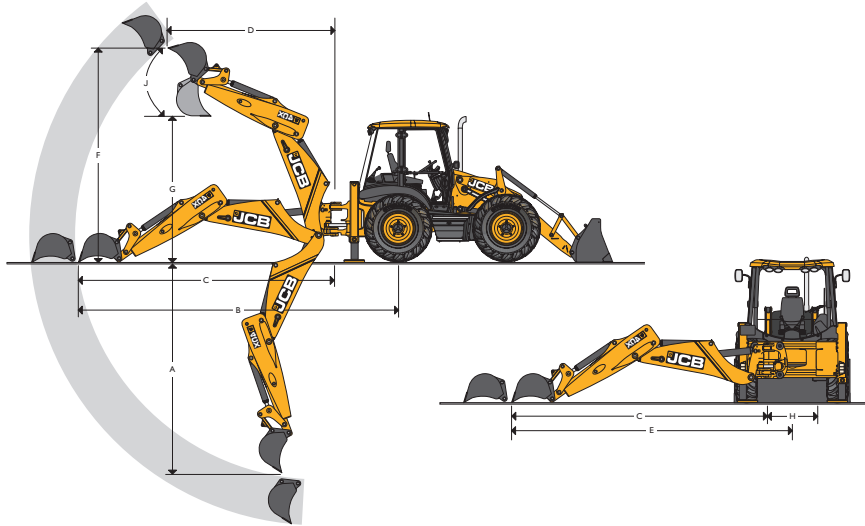
	Capacity SAE			
	G.P. Shovel		6 in 1	
Width mm (ft-in)	Rated m ³	Struck	Rated m ³	Struck
2235 (7-4)	1.0	0.83	1.0	0.76
2350 (7-8)	1.1	0.91	1.0	0.76
2350 (7-8)	1.3	1.19	1.2	1.02
2440 (8-0)	–	–	1.3	1.19
4CX		●		
4CX Super		●		●
4CX Sitemaster		●		●
4CX Super Sitemaster				●

LOADER ATTACHMENTS



LOADER ATTACHMENTS – Forklift Performance and Data

		6-in-1 Shovel mounted forks	Quickhitch mounted forks
Section width	m	0.08	0.08
W Fork length	m	1.1	1.1
X Reach at ground	m	2.68	2.13
Y Reach at full height	m	2.30	1.76
Z Fork lift height	m	2.90	3.28
Fork spacing – min	m	0.2	0.2
Fork spacing – max	m	2.17	1.03
SWL @ 500mm load centres	kg	1000	2000
			●
		●	●
		●	●
		●	●


BACKHOE DIMENSIONS

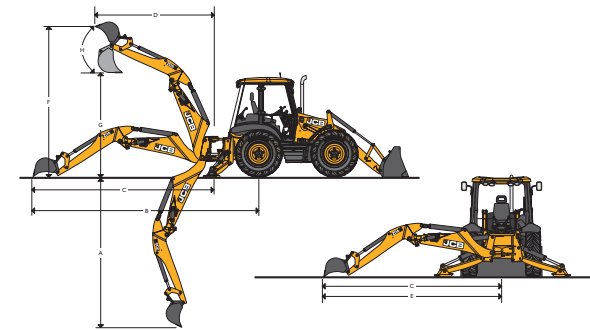
Model		4CX	4CX, 4CX Sitemaster	4CX Super, 4CX Super Sitemaster
		Standard Dipper	Extradig	Standard Dipper
A SAE max dig depth	Ext	–	5.53	6.14
	Ret	4.32	4.32	4.98
SAE 2ft flat bottom	Ext	–	5.50	6.11
	Ret	4.29	4.29	4.93
Maximum dig depth	Ext	–	5.88	6.51
	Ret	4.67	4.67	5.35
B Reach – ground level to rear wheel centre	Ext	–	7.88	8.44
	Ret	6.74	6.74	7.35
C Reach – ground level to slew centre	Ext	–	6.54	7.10
	Ret	5.40	5.40	6.01
D Reach – at full height to slew centre	Ext	–	3.75	4.47
	Ret	2.82	2.82	3.43
E Side reach – to centre line of machine	Ext	–	7.16	7.71
	Ret	6.02	6.02	6.69
F SAE operating height	Ext	–	6.26	6.52
	Ret	5.45	5.45	5.89
G Maximum loadover height	Ext	–	4.73	5.03
	Ret	3.84	3.84	4.06
SAE loadover height	Ext	–	4.28	4.55
	Ret	3.39	3.39	3.58
H Total kingpost travel		1.16	1.16	1.16
J Bucket rotation		201°	201°	201°

BACKHOE PERFORMANCE

		4CX	4CX, 4CX Sitemaster	4CX Super, 4CX Super Sitemaster
		Standard Dipper	Extradig	Standard Dipper
Bucket tearout	Speed	543 l	5385	5387
	Power	6324	6228	6230
Dipper tearout	Ext	–	2729	2675
	Ret	3893	3903	3722
Max. lift capacity of bucket pivot at full reach		kg	kg	kg
	Ext	–	1082	1199
	Ret	2046	1885	1556

4CN

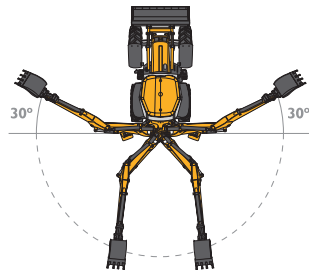
The 4CN features a knuckle boom which has a 30° articulation angle between the boom and dipper giving a working envelope of 240°. This allows you to dig in areas simply not possible with a conventional backhoe e.g: around objects like trees, telegraph poles or lamp posts; parallel alongside a road while keeping the machine on the road; or even towards the front of the machine.


BACKHOE DIMENSIONS

Model	4CN
	m
A SAE max dig depth	4.85
SAE 2ft flat bottom	4.82
Maximum dig depth	5.19
B Reach – ground level to rear wheel centre	7.13
C Reach – ground level to slew centre	5.93
D Reach – at full height to slew centre	3.26
E Side reach – to centre line of machine	5.93
F SAE operating height	5.82
G Maximum loadover height	4.60
H Bucket rotation	201°

BACKHOE PERFORMANCE

Model		4CN
		kgf
Bucket tearout	Speed	6047
	Power	6929
Dipper tearout		3893
		kg
Max. lift capacity of bucket pivot at full reach		1733


BACKHOE ATTACHMENTS – Standard Profile Bucket

Width*	Capacity SAE		Weight (+ Teeth)	
	Rated m ³	Struck m ³	kg	Teeth
229	0.04	0.03	95	0
305 †	0.06	0.05	102	3
356 †	0.075	0.06	105	3
400 †	0.09	0.07	109	3
457 †	0.12	0.09	116	3
610 †	0.17	0.13	140	4
800 †	0.24	0.17	162	5
950 †	0.30	0.21	198	5

* Including sidecutters. Width less sidecutters deduct 25mm.

† Available with additional wear strips to give added strength and rigidity.

BACKHOE BUCKETS – Deep Profile Bucket

Width*	Capacity SAE		Weight (+ Teeth)	
	Rated m ³	Struck m ³	kg	Teeth
305	0.09	0.07	102	3
356	0.11	0.09	117	1
457	0.16	0.13	122	3
610	0.23	0.18	142	4
800	0.30	0.24	163	5
950	0.38	0.30	183	5
1100	0.48	0.34	203	6

* Including sidecutters. Width less sidecutters deduct 25mm.

DITCHING BUCKETS

Width*	Capacity SAE		Weight
	Rated m ³	Struck m ³	kg
1525	0.22	0.16	150
1830	0.26	0.19	172

TAPERED BUCKETS

Width*	Capacity SAE		Angle degrees	Teeth
	Rated m ³	Struck m ³		
381–1676	0.07	0.06	30	2
305–1067	0.12	0.10	60	2