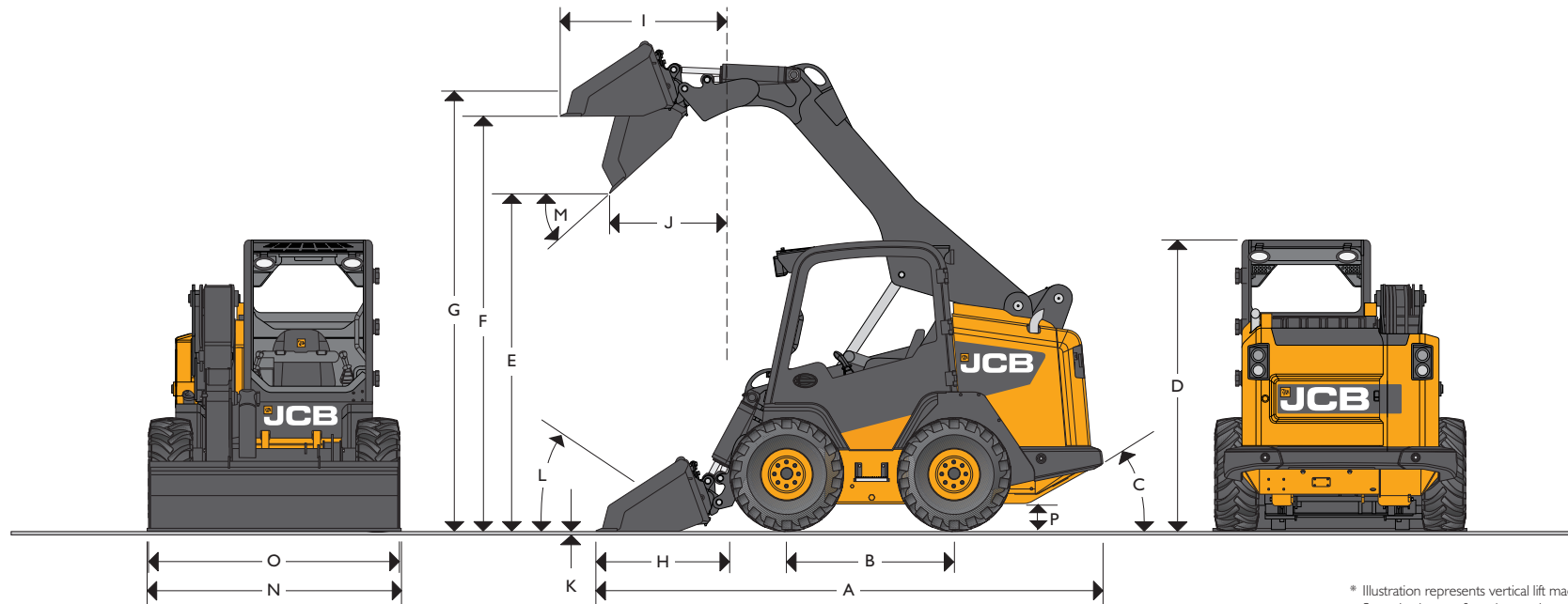




# LARGE PLATFORM SKID STEER & COMPACT TRACK LOADERS

RATED OPERATING CAPACITY: 225 2,250 lb (1,021 kg) 260 2,600 lb (1,179 kg) 280 2,800 lb (1,270 kg) 300 3,000 lb (1,361 kg) 330 3,295 lb (1,495 kg)



\* Illustration represents vertical lift machine.  
Specs in charts reflect changes in machines due to lift path.

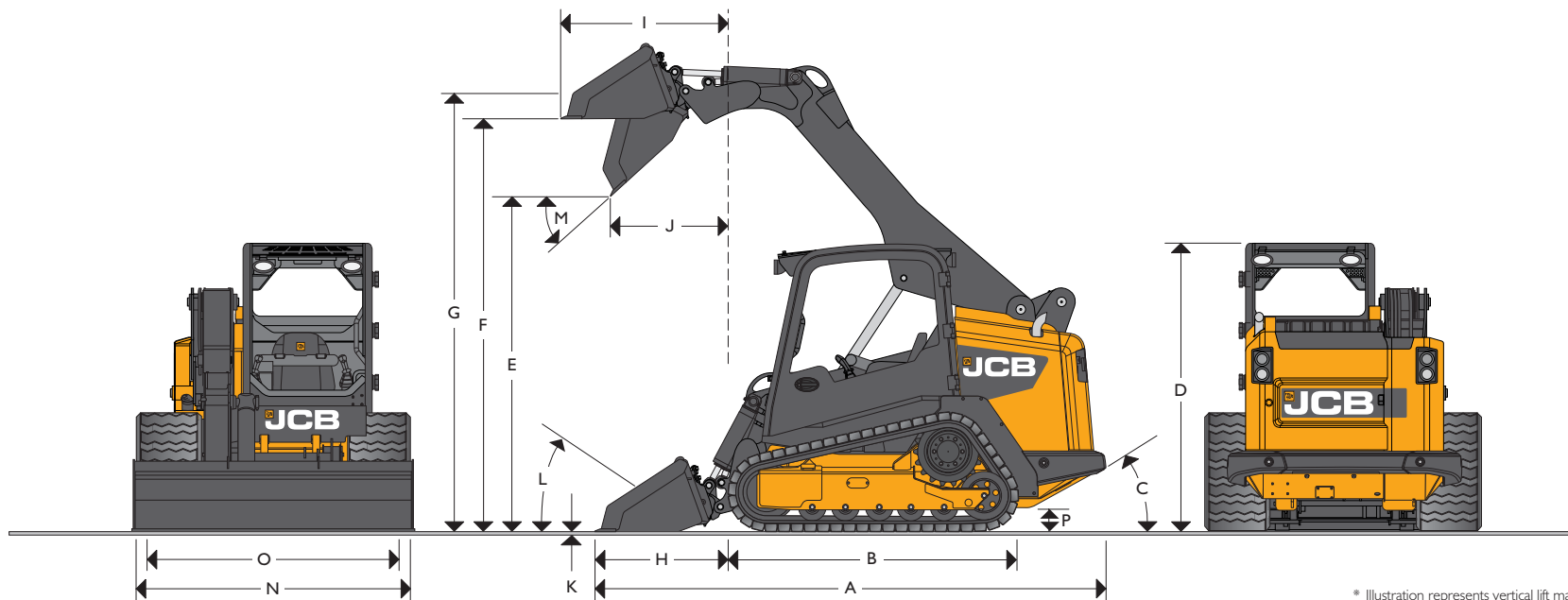
## STATIC DIMENSIONS – 225 / 260 / 280 / 300 / 330

Machine Models	225	260	280	300	330
	ft-in (m)	ft-in (m)	ft-in (m)	ft-in (m)	ft-in (m)
A Overall Length	12-2 (3.69)	12-2 (3.69)	12-4 (3.76)	12-5 (3.78)	12-7 (3.80)
B Wheel Base	4-0 (1.22)	4-0 (1.22)	4-0 (1.22)	4-0 (1.22)	4-0 (1.22)
C Angle of Departure	28.7°	28.7°	28.7°	28.7°	29.1°
D Overall Height	6-10 (2.09)	6-10 (2.09)	6-10 (2.09)	6-10 (2.09)	6-11 (2.11)
E Dump Height	8-1 (2.46)	8-1 (2.46)	8-1 (2.46)	8-1 (2.46)	8-2 (2.49)
F Loadover Height	9-10 (3.02)	9-10 (3.02)	9-10 (3.02)	9-10 (3.02)	10 (3.05)
G Height to Hinge Pin Fully Raised	10-5 (3.175)	10-5 (3.175)	10-5 (3.175)	10-5 (3.175)	10-6 (3.2)
H Reach @ Ground Level	3-2.5 (0.98)	3-2.5 (0.98)	3-2.5 (0.98)	3-5 (1.04)	3-5 (1.04)
I Max Reach @ Full Height	3-2 (.96)	4-0.5 (1.23)	4-0.5 (1.23)	4-0.5 (1.23)	3-11 (1.2)
J Reach @ Full Height - Fully Dumped	1-11 (.59)	2-10 (0.87)	2-10 (0.87)	2-11 (0.90)	2-11 (0.90)
K Dig Depth (toe plate horizontal) Clearance	-3/8 (-10)	-3/8 (-10)	-3/8 (-10)	-3/8 (-10)	0
L Rollback @ Ground	30°	30°	30°	30°	29°

Machine Models	225	260	280	300	330
	ft-in (m)	ft-in (m)	ft-in (m)	ft-in (m)	ft-in (m)
M Dump Angle	42°	42°	42°	42°	42°
N Bucket Width - Standard	6-0 (1.82)	6-0 (1.82)	6-0 (1.82)	6-0 (1.82)	6-6 (1.98)
O Width Over Tyres - Standard	6-0 (1.82)	6-0 (1.82)	6-0 (1.82)	6-0 (1.82)	6-2 (1.87)
Width Over Tyres - Optional	6-2 (1.87)	6-2 (1.87)	6-2 (1.87)	6-2 (1.87)	6-0 (1.82)
Rated Operating Capacity 50%	2250 (1021)	2600 (1179)	2800 (1270)	3000 (1361)	3295 (1495)
Bucket Capacity - Standard	.62 (.47)	.62 (.47)	.62 (.47)	.67 (.51)	.67 (.51)
<b>Turning Radius</b>					
Bucket Corner Radius	7-3 (2.20)	7-3 (2.20)	7-3 (2.20)	7-3 (2.20)	7-3 (2.20)
Quickhitch Radius	4-10.5 (1.48)	4-10.5 (1.48)	4-10.5 (1.48)	4-10.5 (1.48)	4-10.5 (1.48)
Rear Chassis Radius	5-9.5 (1.76)	5-9.5 (1.76)	5-9.5 (1.76)	5-9.5 (1.76)	5-9.5 (1.76)
P Ground Clearance	9.4 (238)	9.4 (238)	9.4 (238)	9.4 (238)	9.8 (248)
Lift Path	Radial	Vertical	Vertical	Vertical	Vertical



RATED OPERATING CAPACITY: 225T 2,250 lb (1,021 kg) 260T 2,600 lb (1,179 kg) 300T 3,000 lb (1,361 kg) 320T 3,200 lb (1,452 kg)



\* Illustration represents vertical lift machine.  
Specs in charts reflect changes in machines due to lift path.

STATIC DIMENSIONS – 225T / 260T / 300T / 320T

Machine Models	225T	260T	300T	320T
	ft-in (m)	ft-in (m)	ft-in (m)	ft-in (m)
A Overall Length	12-2 (3.69)	12-2 (3.69)	12-5 (3.78)	12-5 (3.78)
B Track Base	6-11 (2.1)	6-11 (2.1)	6-11 (2.1)	6-11 (2.1)
C Angle of Departure	28.7°	28.7°	28.7°	28.7°
D Overall Height	6-10 (2.08)	6-10 (2.08)	6-10 (2.08)	6-10 (2.08)
E Dump Height	7-11 (2.42)	7-11 (2.42)	7-10 (2.39)	7-10 (2.39)
F Loadover Height	9-10 (2.99)	9-10 (2.99)	9-10 (2.99)	9-10 (2.99)
G Height to Hinge Pin Fully Raised	10-5 (3.18)	10-5 (3.18)	10-5 (3.18)	10-5 (3.18)
H Reach @ Ground Level	3-2 (0.96)	3-2 (0.96)	3-5 (1.04)	3-5 (1.04)
I Max Reach @ Full Height	3-1 (.935)	4 (1.21)	4.3 (1.30)	4.3 (1.30)
J Reach @ Full Height - Fully Dumped	1-11 (5.85)	2-10.5 (0.87)	2-11 (0.90)	2-11 (0.90)
K Dig Depth Clearance	-3/8 (-10)	-3/8 (-10)	-3/8 (-10)	-3/8 (-10)
L Rollback @ Ground	30°	30°	30°	30°

Machine Models	225T	260T	300T	320T
	ft-in (m)	ft-in (m)	ft-in (m)	ft-in (m)
M Dump Angle	42°	42°	42°	42°
N Bucket Width - Standard	6-6 (1.98)	6-6 (1.98)	7-0 (2.13)	7-0 (2.13)
O Width Over Tracks - Standard	6-1 (1.85)	6-6 (1.98)	6-6 (1.98)	6-6 (1.98)
Rated Operating Capacity 35%	2250 (1021)	2600 (1179)	3000 (1361)	3200 (1452)
Rated Operating Capacity 50%	3214 (1458)	3994 (1812)	4314 (1957)	4573 (2074)
Bucket Capacity - Standard	.79 (.59)	.79 (.59)	.84 (.64)	.84 (.64)
Turning Radius				
Bucket Corner Radius	7-4.5 (2.24)	7-4.5 (2.24)	7-4.5 (2.24)	7-4.5 (2.24)
Quickhitch Radius	4-10.5 (1.48)	4-10.5 (1.48)	4-10.5 (1.48)	4-10.5 (1.48)
Rear Chassis Radius	5.95 (1.76)	5.95 (1.76)	5.95 (1.76)	5.95 (1.76)
P Ground Clearance	9.8 (248)	9.8 (248)	9.8 (248)	9.8 (248)
Ground Bearing Pressure*	4.36 (30.1)	4.6 (31.7)	4.8 (33.1)	4.9 (33.8)
Lift Path	Radial	Vertical	Vertical	Vertical

\* with 17.7" wide tracks (450 mm)



## HYDRAULIC PERFORMANCE

Model	R.O.C. lb (kg)	Tipping Load lb (kg)	Loader Lift lb (kg)	Bucket Breakout Force lb (kg)
225	2250 (1021)	4908 (2226)	5884 (2669)	5699 (2585)
260	2600 (1179)	5448 (2471)	5809 (2634)	7187 (3260)
280	2800 (1270)	5608 (2543)	5809 (2634)	7187 (3260)
300	3000 (1361)	6024 (2732)	5809 (2634)	7187 (3260)
330	3295 (1495)	6590 (2989)	5809 (2634)	7187 (3260)
225 T	2250 (1021)	6428 (2915)	5884 (2669)	5699 (2585)
260 T	2600 (1179)	7991 (3624)	5809 (2634)	7187 (3260)
300 T	3000 (1361)	8628 (3913)	5809 (2634)	7187 (3260)
320 T	3200 (1452)	9145 (4148)	5809 (2634)	7187 (3260)

## HYDRAULICS

In addition to the main hydrostatic drive pumps, there is a dedicated loader and attachments supply pump (auxiliary hydraulics circuit standard on all base models).

**Pump Flow:** 23 gpm (87 lpm) @ 2200 rpm engine speed  
 Main relief pressure 3335 psi (230 bar)  
 HYD HP Low Flow (44.8)\*  
 HYD HP High Flow (69.5)\* \*calculated

- Low lever efforts give excellent and easy control of transmission loader and attachments.
- Auxiliary hydraulics are actuated via the right hand controller giving progressive control of oil flow for precise attachment control.
- Loader arm hydraulic lines under protective steel guard on PowerBoom.
- Canister style, full flow, hydraulic oil filter.
- JCB engine oil for engine and chain case.
- JCB hydraulic oil.
- The optional High Flow circuit provides 35.7 gal/min (135 liters/min) pump flow to the front of the machine for operation of high capacity attachments such as trenchers and cold planers.
- Separate hydraulic pump for transmission charge and hydraulic fan.

## CAPACITIES

	gal (l)
Hydraulic System (including tank)	15.9 (60)
Fuel Tank	27.2 (103)
Engine Coolant	4.1 (15.5)
Engine Oil	3.7 (14)
LH Chaincase (wheeled machines only)	3.1 (11.7)
RH Chaincase (wheeled machines only)	3.1 (11.7)



**ENGINE**

		225/260/280/225T/260T	300/330/300T/320T
Model		JCB DIESELMAX TC-55	JCB DIESELMAX TC-68
Displacement	in <sup>3</sup> (cm <sup>3</sup> )	268 (4399)	268 (4399)
Fuel		Diesel	Diesel
Cooling		Water	Water
Aspiration		Turbo	Turbo
<b>Gross Power @ 2400 rpm</b>			
SAE J1995	hp (kW)	74 (55)	92 (68.6)
<b>Gross Torque @ 1800 rpm</b>			
SAE J1995	lb/ft (Nm)	267 (362)	301 (408)
Starter Motor	hp (kW)	2.72 (2)	2.72 (2)
Battery	V/Ah	12 / 109	12 / 109
Alternator	amps	95	95
Emission Certification		EPA-T4i (EU St3A)	EPA-T3 (EU St3A)
Engine Oil Service Interval Hours		500	500
Variable Speed Hydraulically Driven Fan		YES	YES

**TRANSMISSION**

A full servo controlled hydrostatic transmission giving zero to maximum speed, both forward and reverse at full power. Independent transmission systems for both the left and right side, controlled through servo controls for both precise and easy operation. Transmission power system maintains full engine power availability maximising loader and attachment control. Creep speed is standard on all machines, for precise control when operating attachments.

Model	Single Speed	Two Speed
	mph (km/h)	mph (km/h) / mph (km/h)
<b>Travel Speeds 225/260/280/300:</b>	6.8 (10.9)	6.8 (10.9) / 12.4 (20)
<b>Travel Speeds 330:</b>	7.3 (11.7)	7.3 (11.7) / 13.5 (21.7)
<b>Travel Speeds 225T/260T/300T/320T:</b>	5.7 (9.2)	4.8 (7.7) / 7.8 (12.6)

**LARGE PLATFORM**

**TYRES**

**Standard – 225/260/280/300** 12 x 16.5 - 10 PR  
**Standard – 330** 14 x 17.5 x 10 PR  
**Available Options – Standard Track - Wide Track**  
 Lifemaster Industrial Pneumatic  
 33 / 15.5 x 16.5 Extra Floatation  
 Brawler  
 Solid Industrial  
 Floatation tyres are fitted for most applications.

\*For arduous conditions and hostile environments solid tyres are recommended.

**TRACKS**

**225T/260T**  
 12.6 in (320 mm) traction lug  
 17.7 in (450 mm) traction lug  
**300T/320T**  
 17.7 in (450 mm) traction lug

**WEIGHT**

**SAE Operating Weight**

Fully operational with quickhitch, standard shovel, full fuel tank, open canopy + 165 lb (75 kg) operator:

<b>225</b>	8111 lb (3679 kg)	<b>300</b>	8966 lb (4067 kg)	<b>225T</b>	10,152 lb (4605 kg)
<b>260</b>	8389 lb (3805 kg)	<b>330</b>	9266 lb (4203 kg)	<b>260T</b>	10,692 lb (4850 kg)
<b>280</b>	8525 lb (3867 kg)			<b>300T</b>	11,199 lb (5080 kg)
				<b>320T</b>	11,508 lb (5220 kg)

**LIGHTING AND ELECTRICS**

12 V, negative ground system  
 1,000 cold cranking amp (CCA) battery  
 95 amp alternator  
 Cab mounted instrument panel with ignition, fuel gauge, hour meter, and electronic throttle

Also incorporated into the instrument panel, is a warning light cluster which also has audible alarms for:

Low charge pressure	Blocked air filter
Engine water temperature	Engine oil pressure
Hydraulic oil pressure	Alternator

Cab mounted fuse and relay box designed to keep dirt and water out;  
 IP 69 external connections; standard battery isolater.



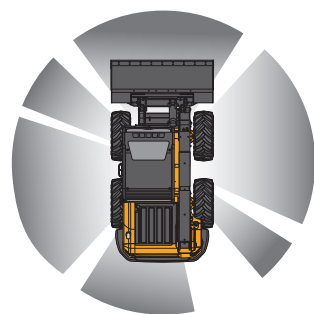
## STANDARD EQUIPMENT - ALL MODELS

Isolation mounted canopy, ROPS and FOPS. Full audible and visual warning systems. Restraint activated safety system. Loader arm safety strut. Centrifugal dry type engine air filter with safety element. Mechanical quickhitch. Electronic hand throttle. Two front and one rear worklight. Emergency lower valve. Fuel gauge. Hydraulic park brake. Standard Flow auxiliary hydraulics. Three way joysticks. Rear service access door. Tilting screen guard. Tilting cab. Mechanical suspension seat. Pod storage area. Cup holder. Power socket. Rear view mirror. Interior light. Battery isolator. Creep speed.

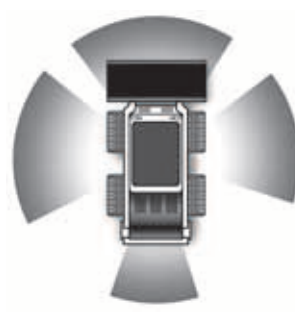
## OPTIONAL EQUIPMENT - ALL MODELS

Fully glazed sealed and pressurised cab with heater/defroster. Air conditioning (155 and above). Air suspension seat. Road lights. Reverse alarm. Beacon. Foot throttle. Fire extinguisher. Toolkit. Self leveling. Float. Level 2 FOPS guard. Heavy-duty rear door guard. Front screen guard. High Flow auxiliary hydraulics (155 and above). Spark arrestor. Tooth guard. Hydraulic quickhitch. Smooth Ride System (155 and above). Lexan screen. Independent lifting eyes. Radio. Twine cutter (wheeled units only). Three inch seat belt.

## OPERATOR VISIBILITY



JCB  
270° Visibility



Typical Skid Steer  
165° Visibility

- VISIBLE AREAS
- OBSTRUCTED AREAS

JCB's unique PowerBoom design makes our Skid Steer the world's safest and provides unmatched visibility.

## OPERATOR ENVIRONMENT

Full ROPS and Level 1 FOPS with optional Level 2 FOPS guard for demolition, full audio and visual warning system. Soundproofing gives noise levels complying with EC regulations. Cab access through side door due to JCB's PowerBoom design.

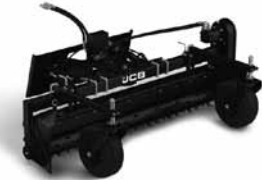
- Deluxe environment available in either open canopy, cab with heat, or cab with heat and A/C (155 and Above)
- Unequaled all-around visibility.
- Fully adjustable seat.
- Retractable seat belt fitted as standard.
- Drainage cover for easy drainage of cab.
- Full servo control with either standard (3 way) joysticks or optional JCB multi-function (7-way) joysticks.

## CONTROLS

JCB servo control (ISO) pattern, provides all drive functions on left and loader function on right joystick. The left hand control pod pivots rearwards, providing unparalleled machine entry / exit.



## ATTACHMENTS



Attachment	Description
Augers	Planetary drive augers are built with fabricated boring heads using 1/2" thick plates with 5/8" carriage bolts and nuts.
Bale Spikes	Utilised for picking up and carrying round bales of hay.
Breakers	JCB hammers are among the most efficient available and are perfectly matched to JCB equipment.
Brooms, Sweeper Collector	For general sweeping duties around the job site.
Brooms, Angle	JCB angle brooms cover many applications including site clean-up, landscape and ground maintenance, road work, and repair.
Brush Cutters	For removal of brush and small trees up to 4" in diameter.
Buckets, 6-in-1 Multipurpose	Genuine JCB 6-in-1 buckets are ideal for multiple applications such as digging, loading, dozing, grading, spreading, and grabbing.
Buckets, Dirt / General Purpose	Genuine JCB dirt / general purpose buckets are recommended where maximum breakout performance is required.
Buckets, Landscape	Genuine JCB landscape buckets are ideal when cutting edge visibility is important.
Buckets, Light Material	Genuine JCB light material buckets are specially designed for lower density materials such as snow, mulch, and grain.
Buckets, Snow	High carbon steel bucket with swept top wrap to better contain material.
Patch Planers	The JCB patch planer is a valuable tool for parking lot and street repairs in addition to many other uses.
Dozer Blades	The JCB dozer blade is an attachment that is suited for general grading and land clearing applications.
Forks, Pallet	Pallet forks are used in a variety of general forklift applications such as construction, industrial, and agricultural industries.



## ATTACHMENTS



Attachment	Description
Forks, Manure	Provides excellent visibility while moving loose hay and manure.
Forestry Cutting Heads	Low profile with patent pending rotor design, rotor operates at 2000 rpm.
Grapples, Brush	Heavy-duty unit with open bottom and sides which allows machine to carry objects longer than unit width.
Grapples, Scrap	Heavy-duty unit with twin ram grapple and ram guard protection.
Rakes, Auto	JCB auto rake is used to groom and finish soil for sod or seed.
Rakes, Landscape Power	JCB landscape rakes are excellent tools for cleaning up debris, maintaining roads, driveways, and finish grading.
Rakes, Landscape Preparators	One solution for general clean-up, rock removal, and soil preparation.
Rock Saws	Available in 48" or 60" diameter for cutting rock and other hard surfaces.
Silage Defacers	Open design allows operator to see bucket face and keeps the attachment clog free.
Snow Blowers	Provides excellent visibility with 25" to 36" shroud opening.
Snow Blades	Available in various widths for removing snow.
Snow Pushers	Designed and built to push loose material forward.
Stump Grinders	Provides an environmentally friendly way to safely remove tree stumps.
Tillers	Provides for safe and efficient tilling with choice of 4" or 6" tilling depths.
Tree Spades	Provides safe and efficient removal and planting of trees.
Trenchers	The JCB trencher is useful for trenching footings, burying utilities, installing irrigation systems, etc.
Vibratory Rollers	Used to compact sand, gravel, soils, crushed stone, and other aggregates.



## A GLOBAL COMMITMENT TO QUALITY

JCB's total commitment to its products and customers has helped it grow from a one-man business into Britain's largest privately owned manufacturer of backhoe loaders, crawler excavators, wheeled excavators, telescopic handlers, wheeled loaders, dump trucks, rough terrain fork lifts, industrial fork lifts, mini/midi excavators, skid steer loaders, tractors and compaction equipment.

By making constant and massive investments in the latest production technology, the JCB factories have become some of the most advanced in the world.

By leading the field in innovative research and design, extensive testing and stringent quality control, JCB machines have become renowned all over the world for performance, value and reliability.

And with a global sales and service network of more than 650 dealers and agents, we aim to deliver the best customer support in the industry.

Through setting the standards by which others are judged, JCB has become one of the world's most impressive success stories.

